

# Window Hardware

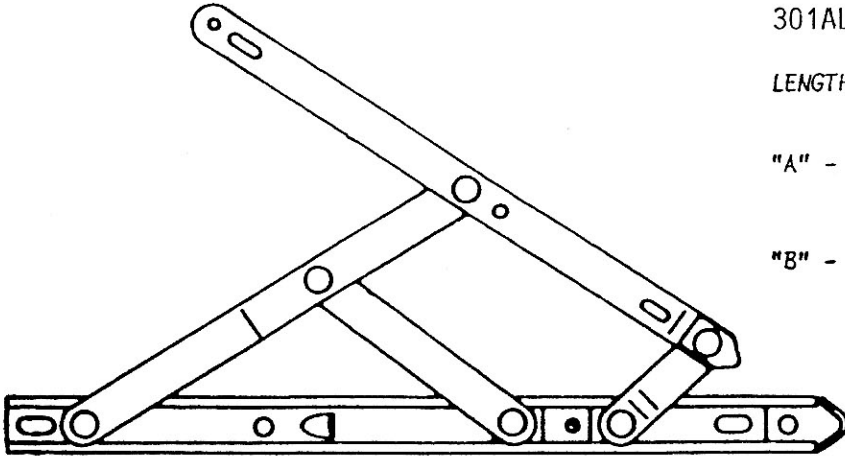
4 - BAR HINGE

301AL & 201AL SERIES

LENGTH - 8". 10". 12". 14". 16". 18". 20". 24".

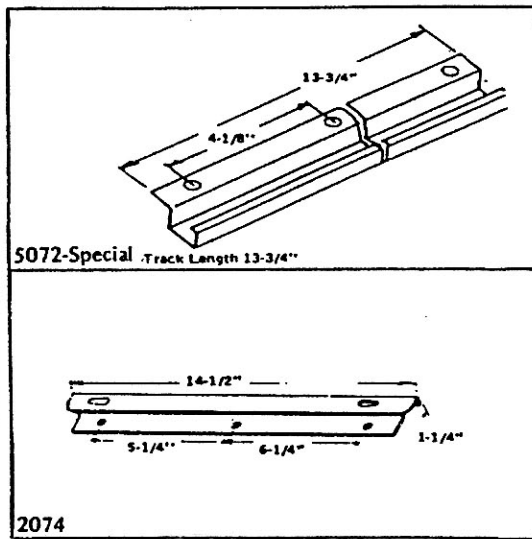
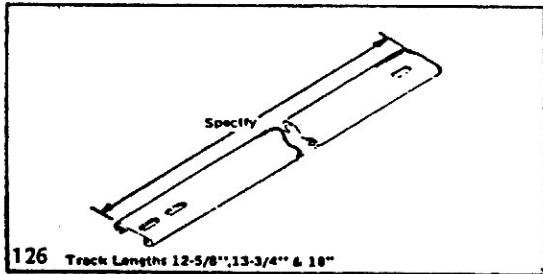
"A" - HEAVY DUTY, WIDTH 7/8"  
HEIGHT OR THICKNESS 5/8"

"B" - STANDARD, WIDTH 11/16"  
HEIGHT OR THICKNESS 7/16"

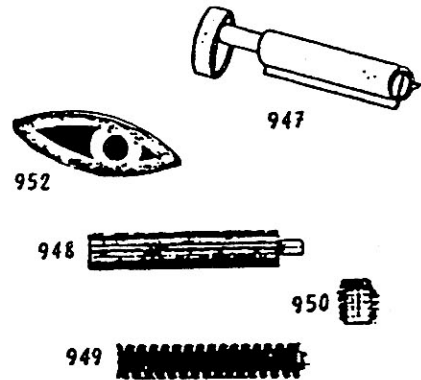


Many Sizes Available and Look Alike...  
**PLEASE SEND A SAMPLE**

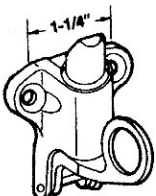
## CASEMENT WINDOW TRACK



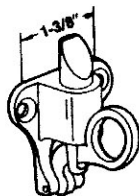
VAMP CO



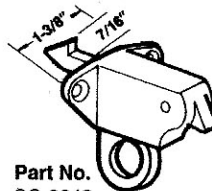
## Spring Catches



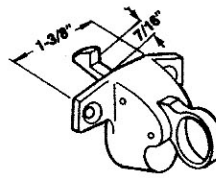
Part No. SC-0648



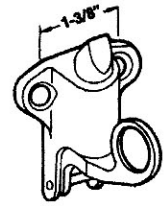
Part No. SC-1113



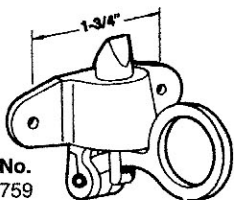
Part No. SC-2242



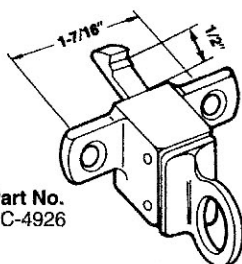
Part No. SC-2272



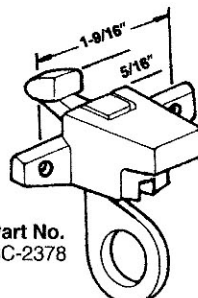
Part No. SC-2869



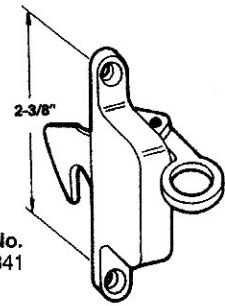
Part No. SC-1759



Part No. SC-4926



Part No. SC-2378



Part No. SC-2841

WINDOW HARDWARE