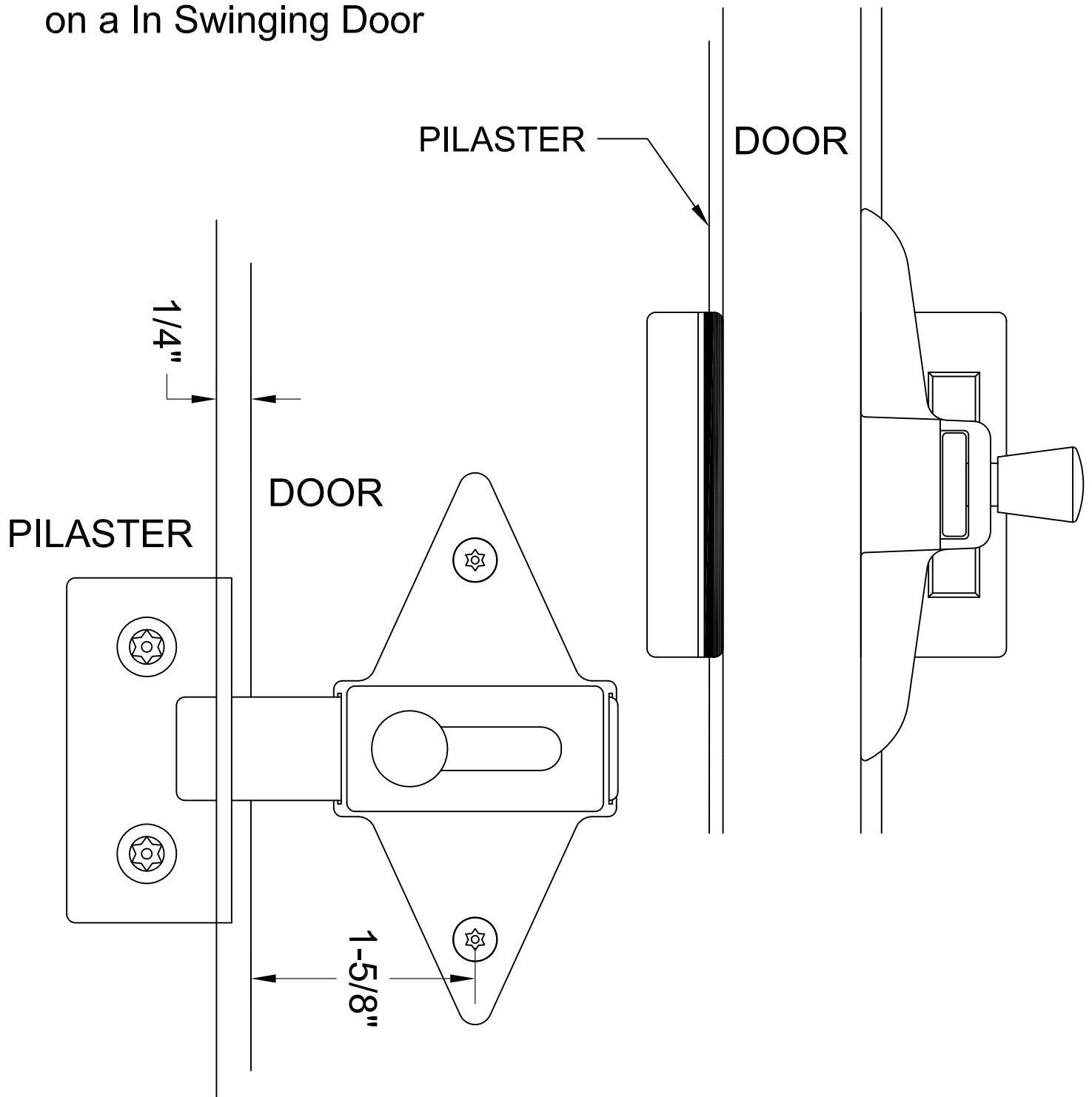
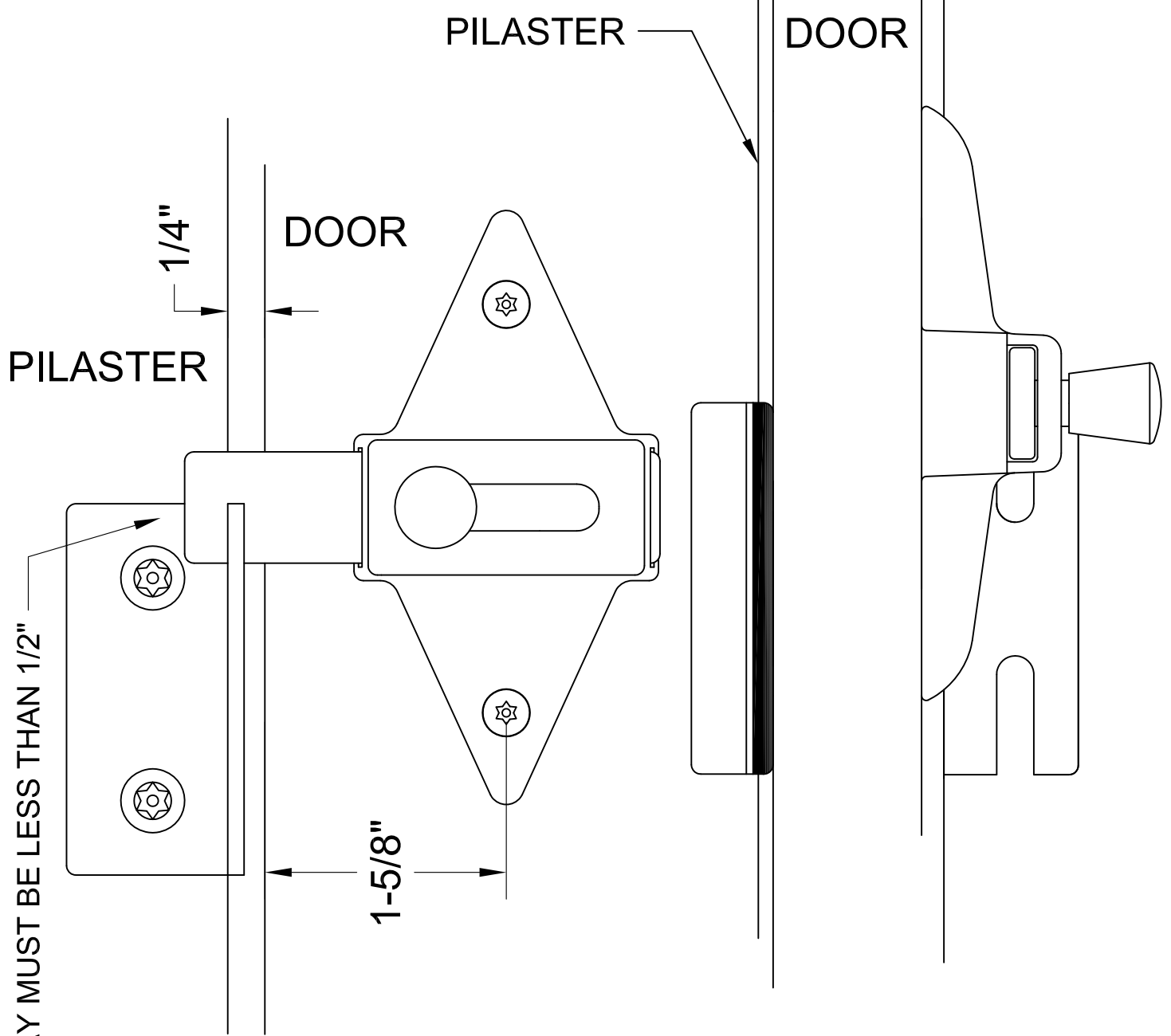


# Installing a Slide Latch and Strike & Keeper on a In Swinging Door



1. INSTALL IN SWING STRIKE & KEEPER ON PILASTER AT RECOMMENDED HEIGHT (STANDARD IS 41")
2. INSTALL SLIDE LATCH WITH THE DOOR IN THE CLOSED POSITION WITH THE SIDE BAR FULLY EXTENDED
3. MOUNT SLIDE LATCH SO THE BAR ENGAGES IN CENTER OF SLOT (SEE DRAWING.)

# Installing a Slide Latch and Strike & Keeper on a In Swinging Door with Emergency Access



1. INSTALL IN SWING STRIKE & KEEPER ON PILASTER AT RECOMMENDED HEIGHT (STANDARD IS 41")
2. INSTALL SLIDE LATCH WITH THE DOOR IN THE CLOSED POSITION WITH THE SIDE BAR FULLY EXTENDED
3. MOUNT SLIDE LATCH SO THE BAR ENGAGES IN "T" SLOT NO MORE THEN 1/2" VERTICALLY FOR EMERGENCY ACCESS (SEE DRAWING.)